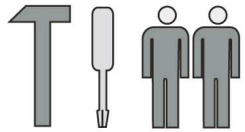
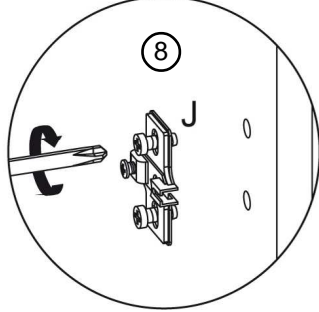
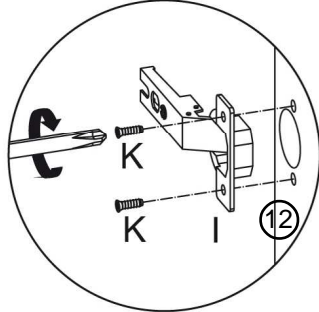
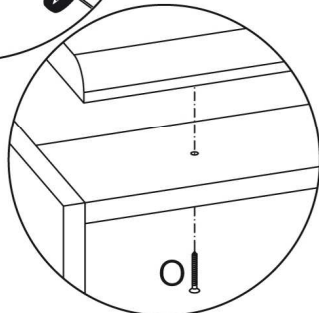
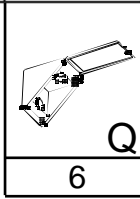
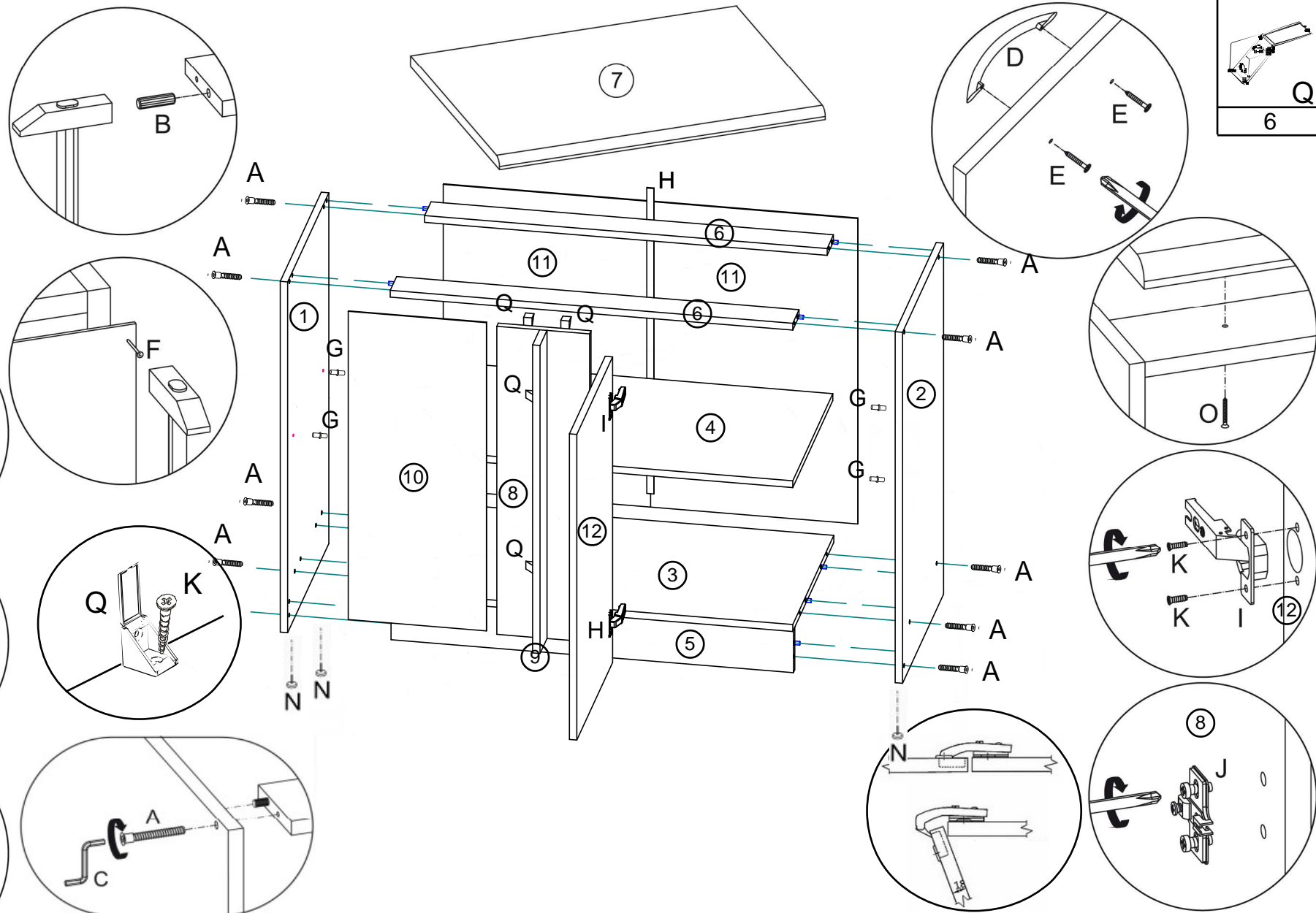


DNW-105



10	10	1	1	2	~30	4	1	2	2	16	4	4

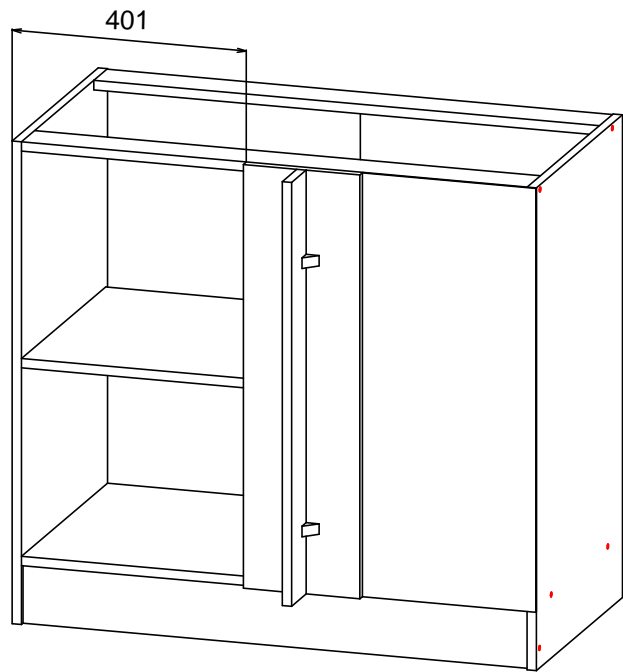
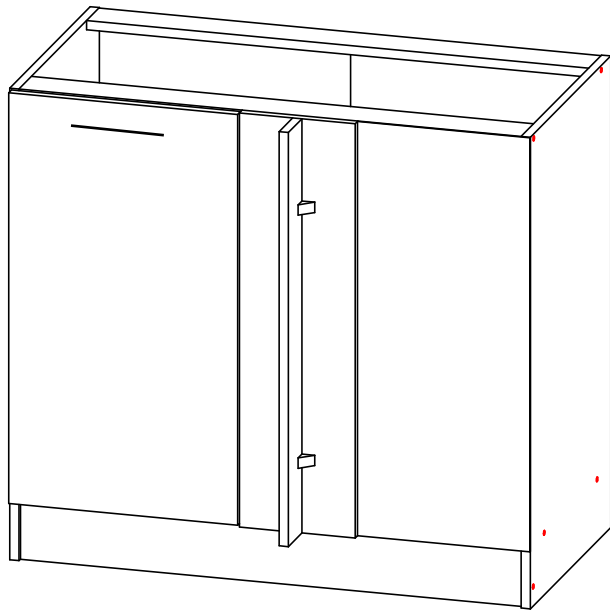


No packer:

Dear Customer.

We regret to inform you, that in time complaint please give No packer and No missing and spoil element.

# L



# P

